

Bronze Ball Valves

Two-Piece Body • Full Port • Bronze Trim • Single Union Ends • Blowout-Proof Stem

600 PSI/41.4 Bar Non-Shock Cold Working Pressure
150 PSI/10.3 Saturated Steam ♦*

CONFORMS TO MSS SP-110

MATERIAL LIST

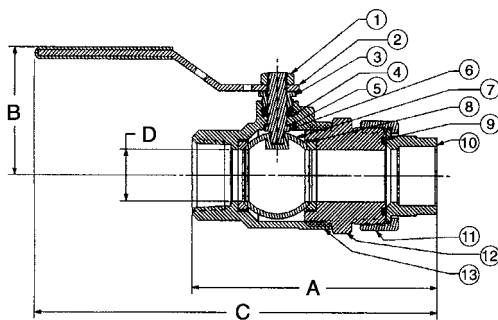
PART	SPECIFICATION
1. Handle Nut	Zinc Plated Steel
2. Handle	Zinc Plated Steel Clear Chromate Plastisol Coated
3. Threaded Pack Gland	Brass ASTM B 16 Alloy C36000
4. Packing	PTFE
5. Thrust Washer	Reinforced PTFE
6. Stem	Silicon Bronze ASTM B 371 Alloy C69300 or ASTM B 99 Alloy C65100
7. Ball	Brass ASTM B 124 Alloy C37700 or ASTM B16 Alloy C36000 EACH with Hard Chrome Plate
8. Seat Ring (2)	Reinforced PTFE
9. O-Ring	FKM
10. Tail Piece	ASTM B 124 Alloy C37700
11. Union Nut	ASTM B 124 Alloy C37700 or ASTM B 584 Alloy C84400
12. Body End	ASTM B 124 Alloy C37700
13. Body	Bronze ASTM B 584 Alloy C84400



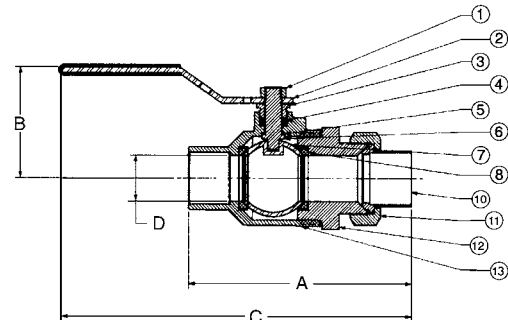
T-585-70-SU
NPT x NPT



S-585-70-SU
C x C



T-585-70-SU
NPT x NPT



S-585-70-SU
C x C

DIMENSIONS—WEIGHTS—QUANTITIES

Size	Dimensions												Weights				Master Ctn.	Qty.
	T-585-70-SU		S-585-70-SU		T-585-70-SU		S-585-70-SU		T-585-70-SU		S-585-70-SU		Lbs.	Kg.	Lbs.	Kg.		
In.	mm.	In.	mm.	In.	mm.	In.	mm.	In.	mm.	In.	mm.	In.	mm.	Lbs.	Kg.	Lbs.	Kg.	
1/2	15	3.57	91	3.32	84	1.88	48	6.22	158	6.00	152	.50	13	.64	.29	.60	.27	40
3/4	20	4.13	105	4.20	107	2.25	57	7.28	185	7.25	184	.75	19	1.33	.60	1.27	.58	20
1	25	4.70	119	5.00	127	2.38	60	7.66	195	7.83	199	1.00	25	1.79	.81	1.72	.78	20
1 1/4	32	5.38	137	6.09	155	3.00	76	9.97	253	10.23	260	1.25	32	2.17	.98	3.18	1.44	10
1 1/2	40	6.06	154	7.09	180	3.16	80	10.40	264	10.81	275	1.50	38	3.27	1.48	5.12	2.32	6
2	50	6.38	162	7.66	195	3.50	89	10.50	267	10.97	279	2.00	51	5.09	2.31	7.10	3.22	4

* Consult MSS SP123 for pressure temperature limitations

♦ For detailed Operating Pressure, refer to Pressure Temperature Chart on page 41.