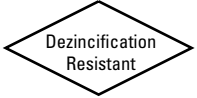


Lead-Free* Bronze Ring Check® Valves

Silicon Performance Bronze™ Alloy • Inline Lift Type • Resilient Discs •
Spring Actuated • Conforms to MSS SP-139 •
NSF/ANSI-61-8 Commercial Hot 180°F (includes Annex F and G) and NSF/ANSI-372



Size Range: 1/2" - 2"

Pressure Rating: 250 PSI Non-Shock Cold Working Pressure

Maximum Pressure / Temperature: 100 PSI at 300° F

Lead-Free* marking:
Double oval in body casting



T-480-Y-LF
Threaded



S-480-Y-LF
Solder

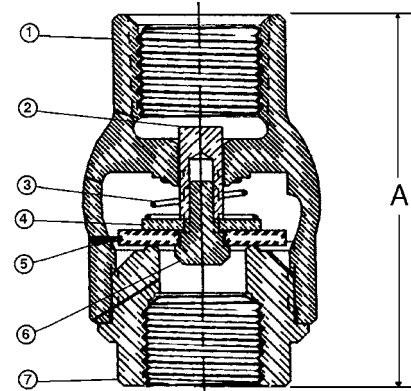
MATERIAL LIST

| PART | SPECIFICATION |
|----------------|--|
| 1. Body | Silicon Bronze ASTM B584 Alloy C87850 |
| 2. Stem | Stainless Steel ASTM A582 Alloy S30300 |
| 3. Spring | Stainless Steel S31600 |
| 4. Disc Holder | Stainless Steel S31600 |
| 5. Disc | PTFE |
| 6. Seat Screw | Stainless Steel ASTM A276 Alloy S43000 |
| 7. Body End | Silicon Bronze ASTM B584 Alloy C87850 |

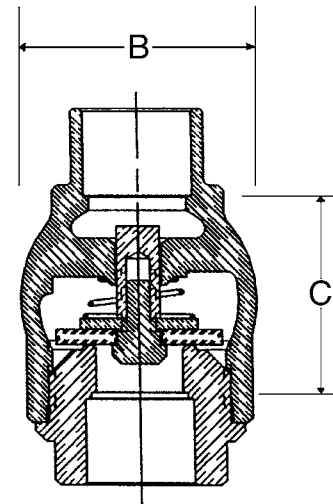
DIMENSIONS—WEIGHTS—QUANTITIES

| Size | Dimensions | | | | | | T-480-Y-LF | | | | S-480-Y-LF | | Master Ctn. Qty. |
|-------|------------|------|----|------|----|------|------------|------|------|------|------------|-----|------------------|
| | A | | B | | C | | In. | mm. | Lbs. | Kg. | | | |
| 1/2 | 15 | 2.06 | 52 | 1.38 | 35 | 1.19 | 30 | 0.36 | 0.16 | 0.40 | 0.18 | 100 | |
| 3/4 | 20 | 2.25 | 57 | 1.63 | 41 | 1.31 | 33 | 0.48 | 0.22 | 0.52 | 0.24 | 100 | |
| 1 | 25 | 2.63 | 67 | 2.00 | 51 | 1.50 | 38 | 0.77 | 0.35 | 0.85 | 0.39 | 50 | |
| 1 1/4 | 32 | 2.94 | 75 | 2.38 | 60 | 1.69 | 43 | 1.14 | 0.51 | 1.28 | 0.58 | 30 | |
| 1 1/2 | 40 | 3.31 | 84 | 2.75 | 70 | 2.00 | 51 | 1.63 | 0.74 | 1.75 | 0.79 | 30 | |
| 2 | 50 | 3.69 | 94 | 3.38 | 86 | 2.31 | 59 | 2.27 | 1.03 | 2.70 | 1.23 | 10 | |

1/2" thru 2" require 1/2 pound pressure to open



T-480-Y-LF
NPT x NPT



S-480-Y-LF
C x C

NIBCO check valves may be installed in both horizontal and vertical lines with upward flow or in any intermediate position. They will operate satisfactorily in a declining plane (no more than 15°). Install check valves as far from pump discharge or line direction change as possible and at a minimum length of 5 times the pipe diameter.

Do not use for Reciprocating Air Compressor Service.

*Weighted average lead content ≤ 0.25%