

# NIBCO® Press System Lead-Free\* Bronze Ball Valves

**Features:** Silicon Performance Bronze® Body • Copper End • Full Port • Blowout-Proof Stem • Stainless Trim

**Approvals:** MSS SP-145 • IAPMO/ANSI Z1157 (IGC-157) • NSF/ANSI-61-8 Commercial Hot 180°F (includes annex F and G) and NSF/ANSI-372

**Size range:** 1/2" - 2"

**Pressure rating:** 250 PSI non-shock cold working pressure

**Body design pressure:** 600 PSI CWP

**Maximum pressure / temperature:** 200 PSI at 250° F

Lead-free\* markings: Double oval in body casting, white handle and blue hang tag

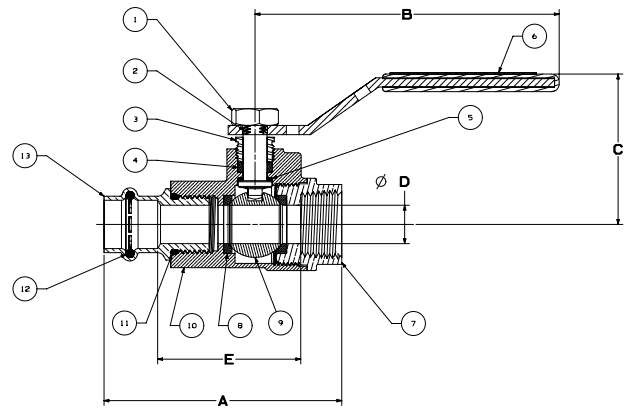


## MATERIAL LIST

PART	SPECIFICATION
1. Handle Nut	Plated Steel
2. Stem	Stainless Steel ASTM A276 Type 316
3. Pack Gland	Brass ASTM B16 Alloy C36000
4. Packing, Stem	PTFE
5. Thrust Washer	Reinforced PTFE
6. Handle Assembly	Plated Steel with Plastisol Coating
7. Body End	Silicon Bronze ASTM B584 Alloy C87600
8. Seat Ring (2)	Reinforced PTFE
9. Ball (vented)	Stainless Steel ASTM A276 Type 316
10. Body	Silicon Bronze ASTM B584 Alloy C87600
11. Boss seal o-ring	EPDM
12. O-Ring	EPDM
13. Press End Adapter	Wrot Copper ASTM B75 Alloy C12200



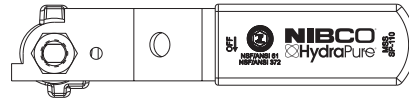
**TPC-585-66-LF**  
Thread x Press  
Female



**TPC-585-66-LF**  
NPT x P

### Handle Options:

- Stainless Steel Lever
- NIB-Seal®
- Locking lever
- Stainless Steel Locking Lever
- Memory stop
- Extended lever w/ memory stop
- Round
- Wing
- Horizontal and vertical chain



Handle Markings

## DIMENSIONS—WEIGHTS

NOM SIZE	A		B		C		D		E		F		G		J		Weight		Master	
In. mm.	In.	mm.	In.	mm.	In.	mm.	In.	mm.	In.	mm.	In.	mm.	Lbs.	Kg.	Lbs.	Kg.	Lbs.	Kg.	Ctn. Qty.	
1/2	15	3.1	79	3.96	101	1.96	50	0.5	13	1.86	47	1.2	30	0.7	18	5.93	151	0.80	0.36	50
3/4	20	3.96	101	4.76	121	2.28	58	0.75	19	2.45	62	1.56	40	0.96	24	7.33	186	1.35	0.61	30
1	25	4.47	114	4.76	121	2.48	63	1	25	2.92	74	1.97	50	0.89	23	7.56	192	1.90	0.86	20
1-1/4	32	4.99	127	6.76	172	3.1	79	1.25	32	3.3	84	2.31	59	1.01	26	9.86	250	3.20	1.45	12
1-1/2	40	5.9	150	6.76	172	3.32	84	1.5	38	3.84	98	2.84	72	1.39	35	10.53	267	4.40	2.00	6
2	50	6.61	168	6.76	172	3.56	90	2	51	4.38	111	3.54	90	1.51	38	10.94	278	6.45	2.93	6

**WARNING:** This product can expose you to chemicals including lead, which is known to the State of California to cause cancer and birth defects or other reproductive harm. For more information go to [www.P65Warnings.ca.gov](http://www.P65Warnings.ca.gov).

\*Weighted average lead content ≤ 0.25%