

Carbon Steel Ball Valves

Three-Piece Body • Full Port • Blowout-Proof Stem •
316 SS Trim • Vented Ball

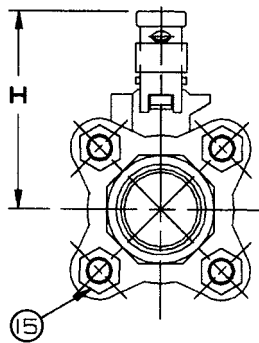
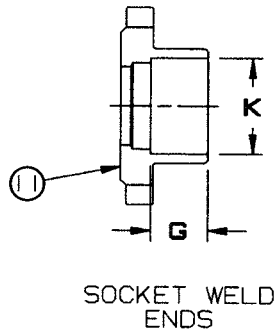
1000 PSI/69 Bar Non-Shock Cold Working Pressure ◆

CONFORMS TO MSS SP-110

MATERIAL LIST

PART	SPECIFICATION
1. Handle Nut	Carbon Steel ASTM A 283
2. Stem	Stainless Steel ASTM A 276 Type 316
3. Lock Washer	Carbon Steel
4. Stem Packing (1 Set)	Carbon Filled PTFE
5. Thrust Washer	Carbon Filled PTFE
6. Cap Bolt (4)	Carbon Steel ASTM A 193 Grade B7
7. Union Seal (2)	Reinforced PTFE
8. Ball (Vented)	Stainless Steel ASTM A 276 Type 316 or ASTM A 351 Type CF8M
9. Body	Carbon Steel ASTM A 216 Grade WCB
10. Seat (2)	Reinforced PTFE
11. Body End (2)	Carbon Steel ASTM A 216 Grade WCB
12. Lock Washer (4)	Carbon Steel
13. Threaded Pack Gland	Carbon Steel ASTM A 108 Type 1045
14. Handle	Carbon Steel ASTM A 283
15. Cap Nut (4)	Carbon Steel ASTM A 283

NOTE: Valves are static grounded by thrust washer and packing.

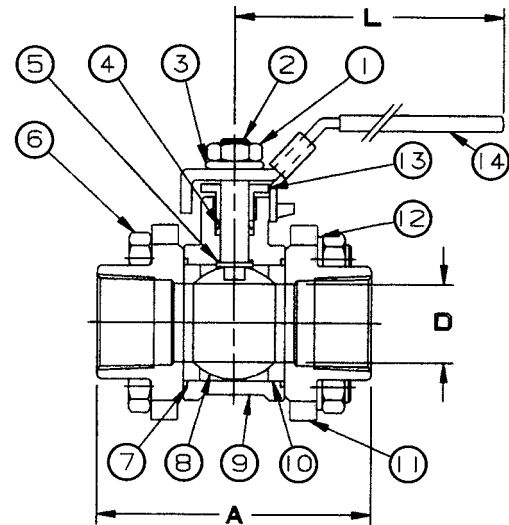


T-595-CS-R-66-LL

Threaded

K-595-CS-R-66-LL

Socket Weld



T or K 595-CS-R-66-LL
NPT x NPT or SOC x SOC

DIMENSIONS—WEIGHTS—QUANTITIES

Size	Dimensions						T or K-595-CS-R-66-LL		Master Ctn. Qty.
	A	D	G	K	H	L	Lbs.	Kg.	
In. mm.	In. mm.	In. mm.	In. mm.	In. mm.	In. mm.	In. mm.	In. mm.		
¼ 8	2.36 60	.34 9	— —	— —	2.18 55	4.17 106	.97 .44		10
⅜ 10	2.36 60	.34 9	— —	— —	2.18 55	4.17 106	.97 .44		10
½ 15	2.76 70	.56 14	.38 10	.86 22	2.38 60	4.17 106	1.23 .56		10
¾ 20	3.03 77	.81 21	.50 13	1.07 27	2.87 73	5.71 145	1.91 .87		10
1 25	3.62 92	1.00 25	.50 13	1.34 34	2.95 75	5.71 145	2.93 1.33		8
1¼ 32	4.13 105	1.25 32	.50 13	1.69 43	3.66 93	7.36 187	4.27 1.94		5
1½ 40	4.72 110	1.50 38	.50 13	1.93 49	3.94 100	7.36 187	6.01 2.73		5
2 50	5.43 138	1.97 50	.62 16	2.42 61	4.25 108	7.95 202	9.50 4.32		5

◆ For detailed Operating Pressure, refer to Pressure Temperature Chart on pages 66 and 67.