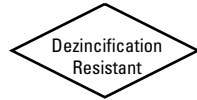


Class 200 Bronze Globe Valves

Union Bonnet • Replaceable Seat and Full Plug Disc



200 PSI/13.8 Bar Saturated Steam to 391° F/201° C
400 PSI/27.6 Bar Non-Shock Cold Working Pressure

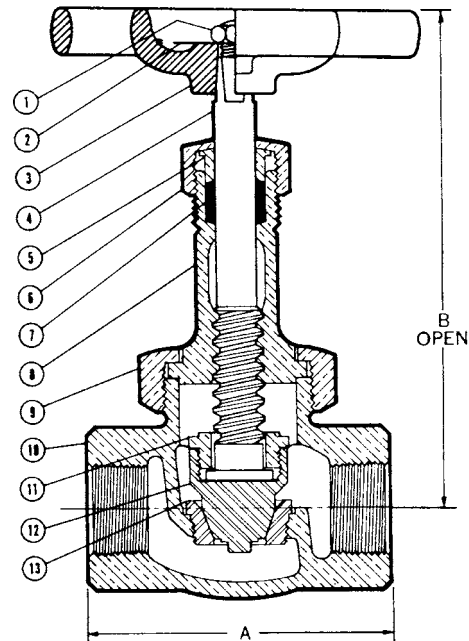
CONFORMS TO MSS SP-80

MATERIAL LIST

PART	SPECIFICATION
1. Handwheel Nut	300 Series Stainless Steel
2. Identification Plate	Aluminum
3. Handwheel	Malleable Iron ASTM A 47
4. Stem	Silicon Bronze ASTM B 371 Alloy C69400/C69430
5. Packing Gland	Bronze ASTM B 62 or ASTM B584 Alloy C84400 or Brass ASTM B16
6. Packing Nut	Bronze ASTM B 62 or ASTM B584 Alloy C84400 or Brass ASTM B 16
7. Packing	Aramid Fibers with Graphite
8. Bonnet	Bronze ASTM B 61
9. Union Nut	Bronze ASTM B 61
10. Body	Bronze ASTM B 61
11. Disc Holder Nut	Bronze ASTM B 61
12. Plug Disc	S42000 Stainless Steel ASTM A 276 Hardened
13. Plug Seat Ring	S42000 Stainless Steel ASTM A276 Hardened



T-256-AP
Threaded



T-256-AP
NPT x NPT
Full Plug

DIMENSIONS—WEIGHTS—QUANTITIES

Size	Dimensions				Weight		Master Ctn. Qty.
	A		B		Lbs.	Kg.	
In. mm.	In.	mm.	In.	mm.			
1¼ 8	2.63	67	4.44	113	1.37	0.62	50
1½ 10	2.63	67	4.44	113	1.33	0.60	50
½ 15	2.69	68	4.88	124	1.83	0.83	30
¾ 20	3.38	86	5.75	146	2.76	1.25	20
1 25	4.00	102	7.00	178	4.71	2.13	10
1¼ 32	4.63	118	7.63	194	6.61	3.00	10
1½ 40	5.00	127	7.69	195	8.01	3.63	6
2 50	6.00	153	9.25	235	12.89	5.85	4
2½ 65	6.63	168	10.19	259	17.74	8.04	2
3 80	7.75	197	11.125	283	24.55	11.13	2

† No packing gland, packing only in these sizes.

FREEZING WEATHER PRECAUTION: Subsequent to testing a piping system, valves should be left in an open position to allow complete drainage.

◆ For detailed Operating Pressure, refer to Pressure Temperature Chart on page 114.

Visit our website for the most current information.