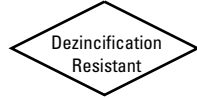


NIBCO® Press System® Bronze Ball Valves

Two-Piece Body • Full Port • Bronze Trim • Blowout-Proof Stem



600 PSI/41.4 Bar Non-Shock Cold Working Pressure
250°F Maximum Operating Temperature

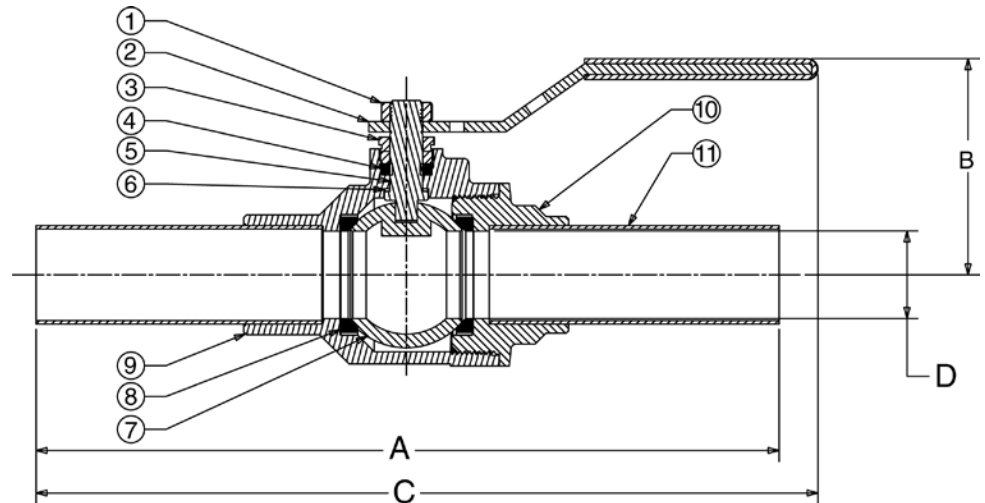
CONFORMS TO MSS SP-110

MATERIAL LIST

PART	SPECIFICATION
1. Handle Nut	Zinc Plated Steel
2. Handle Assembly	Zinc Plated Steel with Plastisol Cover
3. Pack Gland	Brass ASTM B 16 Alloy C36000
4. Packing	PTFE
5. Stem	Silicon Bronze ASTM B 371 Alloy C69430
6. Thrust Washer	RPTFE
7. Ball	Brass ASTM B 16 Alloy C36000 or ASTM B 124 Alloy C37700 (Chrome/Nickle Plated)
8. Seat Ring (2)	RPTFE
9. Body	Bronze ASTM B 584 Alloy C84400
10. Body End Piece	Bronze ASTM B 584 Alloy C84400
11. Stub Out (2)	Type "L" Copper Tube



PS585-70
Press x Press
Male End



PS585-70
P x P

DIMENSIONS—WEIGHTS

Size	Dimensions								Weight		
	A		B		C		D		Lbs.	Kg.	
In. mm.	In.	mm.	In.	mm.	In.	mm.	In.	mm.			
½	15	6.56	167	1.88	48	7.25	184	.50	13	.73	.99
¾	20	7.25	184	2.25	57	8.25	210	.75	19	1.50	.68
1	25	7.75	197	2.38	60	8.63	219	1.00	25	2.05	.93
1¼	32	9.06	230	3.00	76	9.19	233	1.25	32	3.64	1.65
1½	40	9.99	254	3.16	80	11.69	297	1.50	38	5.73	2.60
2	50	10.72	272	3.50	89	12.06	306	2.00	51	8.11	3.68

NIBCO® Press System® ball valves are designed to meet MSS SP-110 with the exception of the end connection. Ball valves are down-rated from 600 PSI CWP to 200 PSI CWP to match the Press System®. Male and female press-to-connect ends are new technology not yet covered in the current edition of this specification.

Visit our website for the most current information.