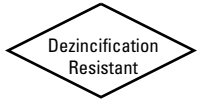


# NIBCO® Press System® Bronze In-line Lift Check Valves

In-line Lift Type • Resilient Discs • Spring Actuated



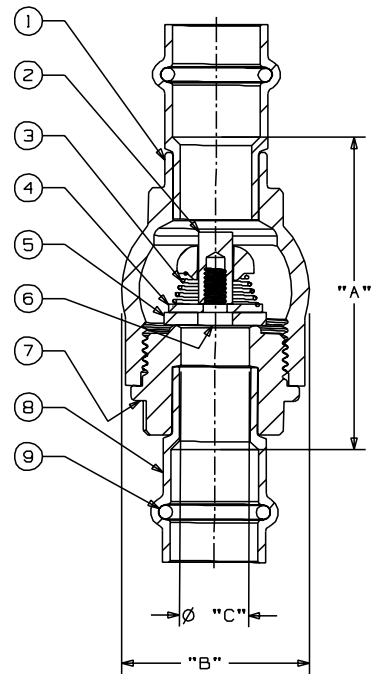
200 PSI/17.2 Bar Non-Shock Cold Working Pressure  
250°F Maximum Operating Temperature

## MATERIAL LIST

PART	SPECIFICATION
1. Body	Bronze ASTM B584 Alloy C84400
2. Stem	Stainless Steel ASTM A582 Alloy C30300
3. Spring	316 Stainless Steel
4. Disc Holder	Stainless Steel Type 301
5. Disc	PTFE
6. Seat Screw	Stainless Steel ASTM A276 Alloy S43000
7. Body End	Bronze ASTM B584 Alloy C84400
8. Adapter (2)	Bronze ASTM B61 Alloy C92200
9. O-Ring (2)	EPDM



**PF480-Y**  
Press x Press  
Female End



**PF480-Y (PTFE Disc)**  
P x P

## DIMENSIONS—WEIGHTS

Size	Dimensions						Weight		
	A		B		C		Lbs.	Kg.	
In.	mm.	In.	mm.	In.	mm.	In.	mm.		
½	15	2.41	61	1.38	35	.50	13	0.52	0.24
¾	20	3.05	77	1.63	41	.75	19	0.75	0.34
1	25	3.56	90	2.00	51	1.00	25	1.18	0.54
1¼	32	3.86	98	2.38	60	1.25	32	1.72	0.78
1½	40	4.45	113	2.75	70	1.50	38	2.49	1.13
2	50	5.28	134	3.38	86	2.00	51	3.96	1.80

NIBCO® Press System® check valves may be installed in both horizontal and vertical lines with upward flow or in any intermediate position.

**WARNING - Do Not Use** for reciprocating air compressor service.

**NOTE:** 0.5 PSI pressure required to open spring.

**NOTE:** Check valves are down-rated from 250 PSI CWP to 200 PSI CWP to match the Press System.

Visit our website for the most current information.