

NIBCO® Press System® Bronze Ball Valves

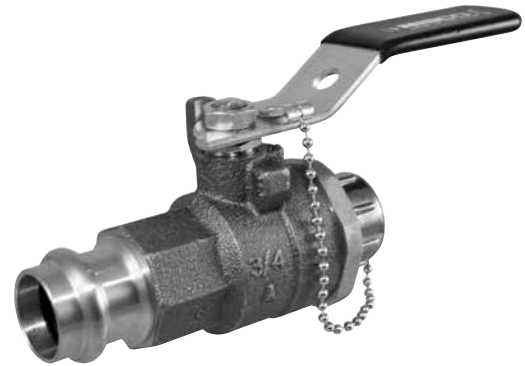
Two-Piece Body • Full Port • Stainless Trim • Blowout-Proof Stem • Vented Ball
• 3/4" Hose Connection w/Cap and Chain

250 PSI/17.2 Bar Non-Shock Cold Working Pressure
250°F Maximum Operating Temperature

CONFORMS TO MSS SP-110

MATERIAL LIST

| PART | SPECIFICATION |
|----------------------|---|
| 1. Press End Adapter | Wrot Copper ASTM B75 Alloy C12200 |
| 2. Body | Bronze ASTM B584 Alloy C84400 |
| 3. Hose Body End | Brass ASTM B124 Alloy C37700 |
| 4. Cap | Die Cast Brass |
| 5. O-Ring | EPDM |
| 6. Boss seal o-ring | EPDM |
| 7. Ball (vented) | Stainless Steel ASTM A276 Type 316 or ASTM A351 Type CF8M |
| 8. Packing | PTFE |
| 9. Pack Gland | Brass ASTM B16 Alloy C36000 |
| 10. Stem | Stainless Steel ASTM A276 Type 316 |
| 11. Handle Nut | 300 Series Stainless Steel |
| 12. Thrust Washer | Reinforced PTFE |
| 13. Handle Assembly | Zinc Plated Steel with Plastisol Coating |
| 14. Seat Ring (2) | Reinforced PTFE |

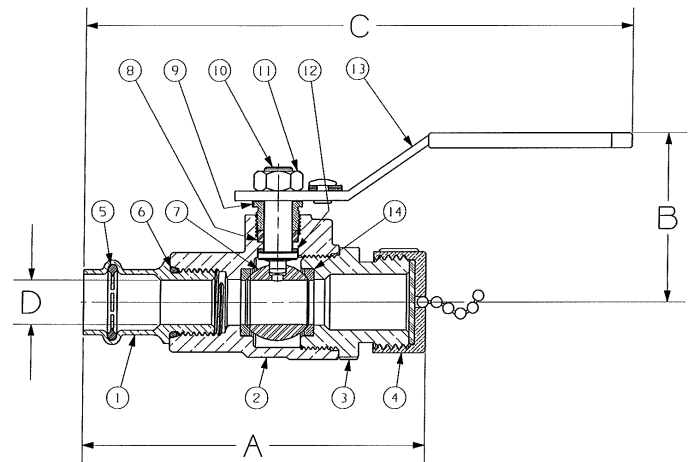


PC585-70-66-HC
Press Female x Hose End

DIMENSIONS—WEIGHTS

| SIZE | Dimensions | | | | Weight | | | | | | |
|------|------------|------|----|------|--------|------|-----|-----|----|------|-----|
| | A | B | C | D | Lbs. | Kg. | | | | | |
| 1/2" | 13 | 2.76 | 70 | 1.88 | 48 | 6.09 | 155 | .50 | 13 | .92 | .42 |
| 3/4" | 19 | 3.28 | 83 | 2.25 | 57 | 7.36 | 187 | .75 | 19 | 1.70 | .77 |

NIBCO® Press System® ball valves are designed to meet MSS SP-110 with the exception of the end connection. Ball valves are down-rated from 600 PSI CWP to 250 PSI CWP to match the Press System®. Male and female press-to-connect ends are new technology not yet covered in the current edition of this specification.



PC585-70-66-HC
P x Hose