

# 250 PSI Butterfly Valves

Ductile Iron Body • Extended Neck • Geometric Drive • 316 S.S. Trim  
Molded-in Seat Liner • Lug and Wafer Style

## Sizes 2" through 12"

Install between Std. ASME Class 125/150 Flanges  
Lug Style 250 PSI bi-directional dead end service rating without a downstream flange required.

DESIGNED TO MEET MSS SP-67 STANDARD  
U.S. COAST GUARD "CATEGORY A"

### MATERIAL LIST

PART	SPECIFICATION
1. Stem	Stainless Steel ASTM A564 Type 17-4PH
2. Collar Bushing	Stainless Steel ASTM A276 Type 316
3. Stem Seal	Options: See Below*
4. Body Seal	Options: See Below*
5. Nameplate	Aluminum
6. Upper Bushing	Stainless Steel ASTM A276 Type 316
7. Liner	Options: See Below*
8. Disc	Stainless Steel ASTM A743 Grade CF8M
9. Lower Bushing	Stainless Steel ASTM A276 Type 316
10. Body Wafer	Ductile Iron ASTM A536
11. Body Lug	Ductile Iron ASTM A536

\*Optional Liners/Seals: 0 - EPDM 1 - Buna-N (Nitrile) 2 - Fluoroelastomer

### DIMENSIONS — WEIGHTS

Size		A	B	C	D	E	F	G	Metal	Rubber	J	N
In.	mm.							Flat	H	I	Square	Dia.
2	50	2.53	4.00	1.25	5.38	2.88	.38	.312	1.688	1.812	3.25	.500
2½	65	2.90	4.69	1.25	5.88	3.27	.38	.370	1.812	1.938	3.25	.562
3	80	3.15	5.12	1.25	6.12	3.40	.38	.370	1.812	1.938	3.25	.562
4	100	4.09	6.12	1.25	6.88	4.00	.38	.403	2.062	2.188	3.25	.625
5	125	5.13	7.25	1.25	7.38	4.75	.38	.496	2.188	2.312	3.25	.750
6	150	6.13	8.25	1.25	8.00	5.29	.38	.496	2.188	2.312	3.25	.750
8	200	8.13	10.41	1.25	9.25	6.50	.50	.560	2.375	2.500	3.25	.875
10	250	10.13	12.52	1.25	10.50	8.00	.50	.686	2.688	2.812	4.75	1.125
12	300	12.13	15.00	1.25	12.00	9.25	.50	.748	3.000	3.125	4.75	1.250

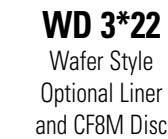
#### Capscrew/Stud Data

Size	O	P	R	K	L	Wafer	Lug	Lug Weight		Wafer Weight		
								M	B.C.	Lbs.	Kg.	Lbs.
In. mm.	B.C.	Dia.	Dia.	No.	Dia.	Length	Length	B.C.				
2	50	3.25	.437	.437	4	5/8-11unc		4¾	7	3.2	5.5	2.5
2½	65	3.25	.437	.500	4	5/8-11unc		5½	9	4.1	7.5	3.4
3	80	3.25	.437	.500	4	5/8-11unc	Refer to butterfly valve technical information for bolt lengths	6	9.5	4.3	8	3.6
4	100	3.25	.437	.562	8	5/8-11unc		7½	15	6.8	11	5.0
5	125	3.25	.437	.656	8	¾-10unc		8½	21	9.5	15	6.8
6	150	3.25	.437	.656	8	¾-10unc		9½	24	10.9	18	8.2
8	200	3.25	.437	.781	8	¾-10unc		11¾	34	15.4	28	12.7
10	250	5.00	.562	1.000	12	7/8-9unc		14¼	62	28.1	45.5	20.7
12	300	5.00	.562	1.062	12	7/8-9unc		17	90	40.9	70	31.8

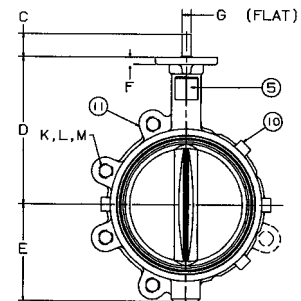
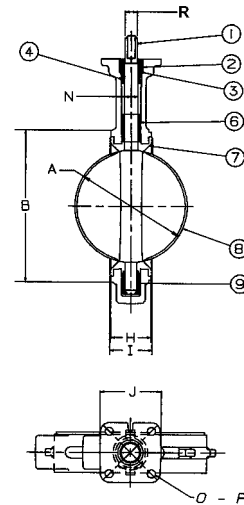
For actuated service where a lower torque is required use NIBCO Fig. No. WDLXXX-0 or LDLXXX-0 series, sizes 2" thru 12" only. Maximum pressure rating of 100 PSI for wet application and 50 PSI for dry application



**LD 3\*22**  
Lug Style  
Optional Liner  
and CF8M Disc



**WD 3\*22**  
Wafer Style  
Optional Liner  
and CF8M Disc



NOT RECOMMENDED  
FOR STEAM SERVICE