

# 150 PSI Butterfly Valves

Ductile Iron Body • Cartridge Liner • Double Flanged

**Sizes 30", 36", 42" and 48"**

Install between Std. ASME Class 125/150 Flanges  
100 PSI bi-directional dead end service rating without a downstream flange.  
Do NOT install between AWWA C115/A21.5 type flanges.

DESIGNED TO MEET MSS SP-67 STANDARD

## MATERIAL LIST

PART	SPECIFICATION
1. Body	Ductile Iron ASTM A536
2. Bushing	Bronze ASTM B584 Grade C83600
3. Lower Stem	Stainless Steel ASTM A582 Type 416 Stainless Steel ASTM A276 Type 316SS
3a. Upper Stem	Stainless Steel ASTM A582 Type 416 Stainless Steel ASTM A276 Type 316SS
4. Seat Back Ring	Phenolic Resin, Aluminum B26 30" - 36" eight set screws in backing 42" - 48" ten set screws in backing
5. Seat	Rubber - BUNA (NBR) Rubber - EPDM
6. Disc	Aluminum Bronze ASTM B148 C95400 Ductile Iron ASTM A536 65-45-12 (Nickel Plated) Stainless Steel ASTM A351 Grade CF8M
7. Taper Pin (3)	Stainless Steel ASTM A582 Type 416 or ASTM A564
8. Rivet	Steel
9. Nameplate	Aluminum
10. Bushing	Bronze ASTM B584 C83600
11. Flat Key	Steel ASTM A108 1045
12. Bushing	Bronze ASTM B584 C83600
13. Socket Bolt	Steel ASTM A307
14. O-Ring	Rubber BUNA (NBR)
15. Bottom Plate	Steel ASTM A108 1035
16. Thrust Bearing	Bearing Steel
17. Washer	Steel

## LD 1000/LD 1100

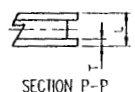
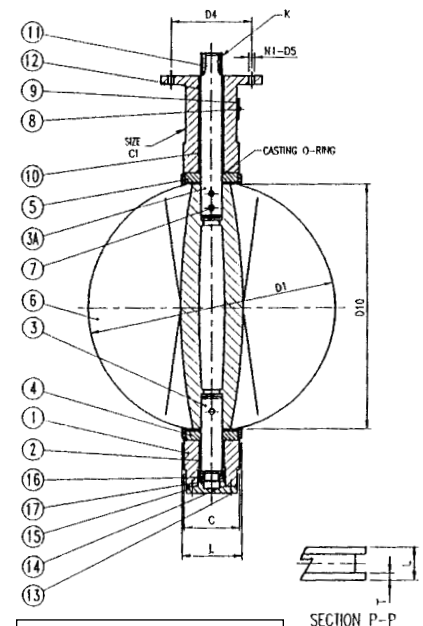
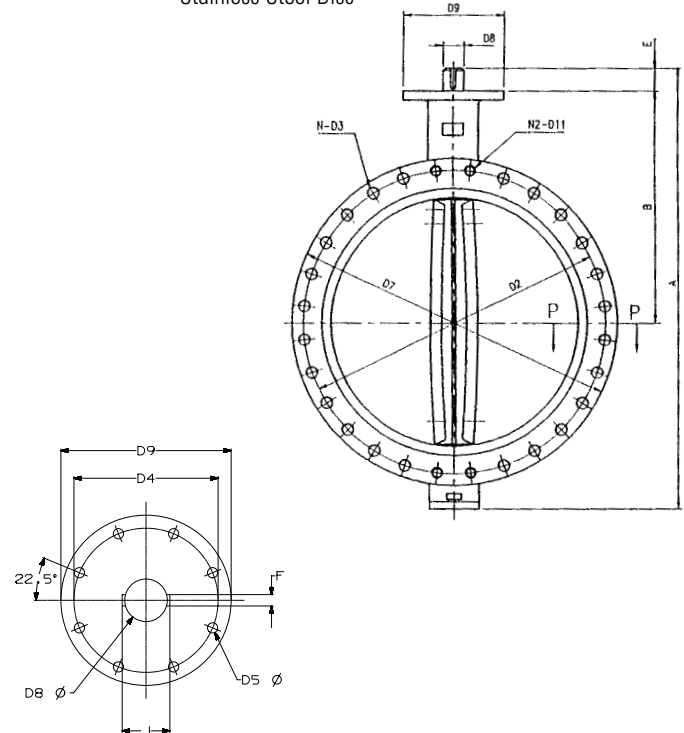
Lug Style  
EPDM or Buna-N Liner  
Aluminum Bronze Disc

## LD 1010

Lug Style  
EPDM Liner  
Ductile Iron Disc

## LD 1022

Lug Style  
EPDM Liner  
Stainless Steel Disc



NOT RECOMMENDED FOR STEAM SERVICE

Size	D8										
In. mm.	D1	D2	D4	D5	D7	Dia.	D9	D10	D11	C	
30 750	29.30	36.00	10.00	0.71	38.74	2.50	11.81	28.56	1¼-7UNC	6.57	
36 900	34.04	42.75	10.00	0.71	46.00	2.95	11.81	33.09	1½-6UNC	8.00	
42 1050	40.55	49.50	11.73	0.87	53.00	3.74	13.78	39.33	1½-6UNC	9.88	
48 1200	45.67	56.00	11.73	0.87	59.50	4.13	13.78	44.35	1½-6UNC	10.88	

Size	K											Weight	
In. mm.	L	A	B	E	F	J	N1	N2	T	Key Size	Lbs.	Kg.	
30 750	6.81	50.63	26.00	2.60	0.709	2.809	8	28	2.12	.709 x .433 x 2.50	926	420	
36 900	8.31	58.82	28.35	4.65	0.787	3.307	8	32	2.38	.787 x .472 x 4.00	1482	660	
42 1050	10.28	70.28	33.78	5.91	0.984	4.134	8	36	2.62	.984 x .551 x 4.50	1971	896	
48 1200	11.26	76.96	37.04	5.91	1.102	4.606	8	44	2.75	1.104 x .630 x 4.50	2816	1280	