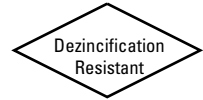


Bronze Ball Valves

Three-Piece Body • Conventional Port • Grooved Ends •
316SS Trim • Blowout-Proof Stem • Vented Ball



600 PSI/41.4 Bar Non-Shock Cold Working Pressure

CONFORMS TO MSS SP-110

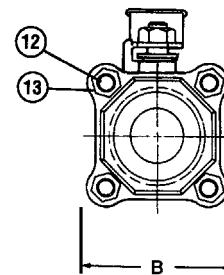
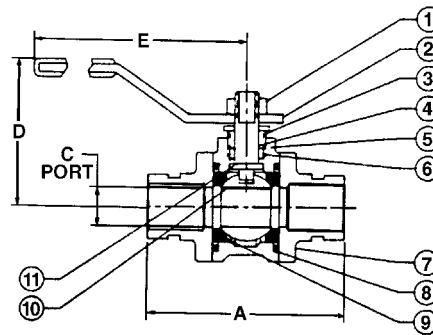
MATERIAL LIST

PART	SPECIFICATION
1. Handle Nut	Stainless Steel 300 Series
2. Handle	Zinc Plated Steel Clear Chromate Plastisol Coated
3. Threaded Pack Gland	Brass ASTM B 16 Alloy C36000
4. Stem	Stainless Steel ASTM A 276 Type 316
5. Body	Bronze ASTM B 584 Alloy C84400
6. Packing	PTFE
7. Body End (2)	Bronze ASTM B 584 Alloy C84400
8. O-Ring Seal (2)	Fluorocarbon Rubber
9. Seat Ring (2)	PTFE
10. Ball (Vented)	Stainless Steel ASTM A 276 Type 316 or ASTM A 351 Type CF8M
11. Thrust Washer	Reinforced PTFE
12. Body Bolts	Zinc Dichromate Plated Steel ASTM A 449 Grade 5
13. Body Nuts	Zinc Dichromate Plated Steel ASTM A 449 Grade 5

Note: Valves are static grounded by a grounding washer. (Not Shown)



G-590-Y-66
Grooved



G-590-Y-66
GRVD x GRVD

DIMENSIONS—WEIGHTS—QUANTITIES

Size	Dimensions					G-590-Y-66		Master Ctn. Qty.
	A	B	C	D	E	Lbs.	Kg.	
In. mm.	In. mm.	In. mm.	In. mm.	In. mm.	In. mm.			
1½	40 5.37	144 2.37	68 1.25	32 2.75	70 6.69	170 4.20	1.91	10
2	50 5.87	149 3.00	76 1.50	38 2.97	75 6.69	170 6.14	2.79	10
2½	65 6.64	169 4.00	102 2.00	51 3.62	92 6.69	170 10.80	4.91	4
3	80 7.78	198 5.00	127 2.50	64 4.09	104 6.69	170 19.01	8.64	2