

250 PSI WWP Iron Body Gate Valves

Fire Protection Post Indicator Valve • Bolted Bonnet • Indicator Post Pattern
• Non-Rising Stem • Resilient Wedge • Epoxy Coated Interior/Exterior

250 PSI/17.2 Bar Non-Shock Cold Working Pressure
(160° F/71° C max. operating temperature)

UL/ULC LISTED • FM APPROVED • AWWA C509 & 515
CERTIFIED LEAD-FREE* BY IAPMO R&T TO NSF/ANSI 372



FM609-RW
Flanged x Mechanical Joint

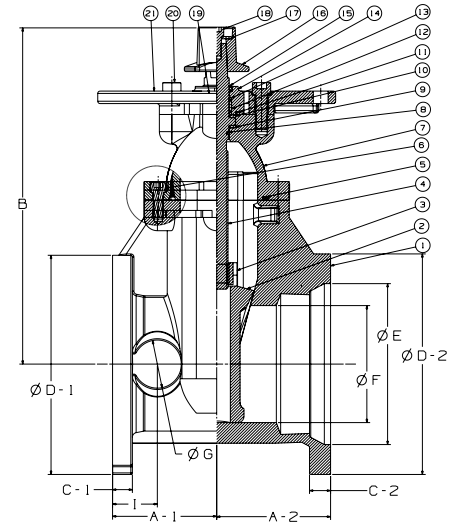
MATERIAL LIST

PART	SPECIFICATION
1. Valve Body	Ductile Iron ASTM A536
2. Resilient Wedge	Ductile Iron ASTM A536/EPDM ASTM D2000
3. Wedge Nut	Bronze ASTM B584 UNS C83600
4. Stem	Bronze ASTM B150 UNS C61400
5. Bonnet Gasket	EPDM ASTM D2000
6. Bonnet Screw	18-8 Stainless Steel ASTM 193
7. Bonnet	Ductile Iron ASTM A536
8. Stem Primary O-Ring	EPDM ASTM D2000
9. Stem Thrust Washer-Lower	Bronze ASTM B584 UNS C83600
10. Stem Thrust Washer-Upper	Stainless Steel A276 UNS S41000
11. Gland Seal O-Ring	EPDM ASTM D2000
12. Stem Seal Bushing	Bronze ASTM B584 UNS C83600
13. Stem Secondary O-Ring	EPDM ASTM D2000
14. Gland Flange	Ductile Iron ASTM A536
15. Stem Ring Wiper	EPDM ASTM D2000
16. Square Operating Nut	Cast Iron ASTM A126 Class B
17. Operating Nut Washer	Carbon Steel Zinc Plated
18. Operating Nut Screw	Alloy Steel ASTM A574M Zinc Plated
19. Gland Flange Screw	Alloy Steel ASTM A574M Zinc Plated
20. Indicator Flange Screw	Alloy Steel ASTM A574M Zinc Plated
21. Indicator Post Flange	Ductile Iron ASTM A536
22. UL/FM Label (not shown)	Aluminum

NOTE: Flanged side is consistent with ANSI B16.1 Class 125.

NOTE: Body, Bonnet and Ind. Post Flange coated with electrostatically applied fusion bonded epoxy resin inside and outside per AWWA C-550. Epoxy NSF and FDA certification

NOTE: Flanged valve is consistent with ANSI B16.1 Class 125.



FM609-RW
Flg x MJ

DIMENSIONS—WEIGHTS—QUANTITIES

Size	Dimensions																		
	A-1		A-2		B		C-1		C-2		D-1		D-2		E		F		
In. mm.	In.	mm.	In.	mm.	In.	mm.	In.	mm.	In.	mm.	In.	mm.	In.	mm.	In.	mm.	In.	mm.	
4	100	4.50	115	5.00	127	13.50	344	0.94	24	1.00	26	9.00	229	9.10	232	6.00	153	3.90	100
6	150	5.30	134	5.70	146	17.40	441	1.00	25	1.06	27	11.00	279	11.10	283	8.10	206	5.90	150
8	200	5.70	146	5.70	146	20.80	529	1.13	29	1.12	28	13.50	343	13.40	340	10.30	261	7.90	200
10	250	6.50	165	6.50	165	24.00	614	1.19	30	1.18	30	16.00	406	15.60	397	12.30	313	9.80	250
12	300	7.00	178	7.00	179	27.60	700	1.25	32	1.25	32	19.00	486	17.90	454	14.40	367	11.80	300

Size	G		H		I		Flanged B.C.		MJ B.C.		No. Holes Flanged	No. Holes M-Joint	Turns To Open	Weight	
	In. mm.	In.	mm.	In.	mm.	In.	mm.	In.	mm.	Lbs.				Kg.	
4	100	2.10	54	10.20	260	2.13	54	7.50	191	7.50	191	8	4	13.0	92 42
6	150	2.50	64	14.80	375	2.24	57	9.50	241	9.50	241	8	6	15.7	134 61
8	200	2.80	70	14.80	375	2.48	63	11.75	296	11.75	298	8	6	17.3	192 87
10	250	2.80	70	15.70	400	2.56	65	14.25	362	14.00	356	12	8	21.4	288 131
12	300	3.40	86	19.70	500	2.91	74	17.01	432	16.25	413	12	8	25.3	410 176



FREEZING WEATHER PRECAUTION: Subsequent to testing a piping system, valves should be left in an open position to allow complete drainage.

*Lead Free refers to the wetted surface of pipe, fittings and fixtures in potable water systems that have a weighted average lead content ≤ 0.25% per the Safe Drinking Water Act (Sec. 1417) amended 1-4-2011 and other equivalent state regulations.