

300 PSI CWP Iron Body Gate Valves

Bolted Bonnet • Non-Rising Stem • Resilient Wedge • Flanged Ends

300 PSI/20.6 bar non-shock cold working pressure

CERTIFIED LEAD-FREE* BY TRUESDAIL
LABORATORIES TO NSF/ANSI 61 AND 372



F-619-RWS
Flanged



F-619-RWS-SON
Flanged

MATERIAL LIST		
PART	SPECIFICATION	
1 Valve Body	Ductile Iron ASTM A536	
2 Resilient Wedge	Ductile Iron ASTM A536 / EPDM ASTM D2000	
3 Wedge Nut	ASTM B584 UNS C83600	
4 Stem	Stainless Steel 304	
5 Bonnet Gasket	EPDM ASTM D2000	
6 Bonnet Screw	Corrosion-resistant Steel	
7 Bonnet	Ductile Iron ASTM A536	
8 Stem Primary O-Ring	EPDM ASTM D2000	
9 Stem Thrust Washer (lower)	Bronze ASTM B584 UNS C83600	
10 Stem Thrust Washer (upper)	Stainless Steel ASTM A276 UNS S41000	
11 Gland Seal O-Ring	EPDM ASTM D2000	
12 Stem Seal Bushing	ASTM B584 UNS C83600	
13 Stem Secondary O-Ring	EPDM ASTM D2000	
14 Gland Flange	Ductile Iron ASTM A536	
15 Stem Ring Wiper	EPDM ASTM D2000	

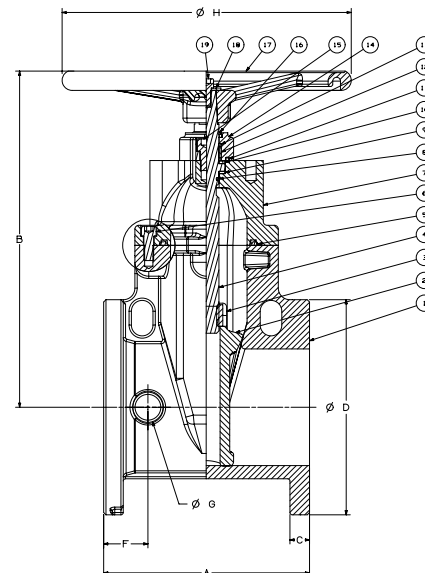
Coating — Electrostatically applied fusion-bonded epoxy 8-20 mil. inside and outside meets or exceeds performance requirements of AWWA C550.
Epoxy coating is not intended to serve as a dielectric barrier internal to the piping system.

NOTE: Flanged valve is consistent with ANSI B16.1 Class 125.

NOTE: 14" & 16" sizes rated to 250 psi

FREEZING WEATHER PRECAUTION: Subsequent to testing a piping system, valves should be left in an open position to allow complete drainage.

WARNING: This product can expose you to chemicals including lead, which is known to the State of California to cause cancer and birth defects or other reproductive harm. For more information go to www.P65Warnings.ca.gov.



F-619-RWS

Flg x Flg
Shown with optional handwheel,
square operating nut not shown

DIMENSIONS—WEIGHTS—QUANTITIES

Size	Dimensions														Flange Holes	Turns to Open	Weight				
	A		B		C		D		F		G		H				Lbs.	Kg.			
In. mm.	In. mm.	In. mm.	In. mm.	In. mm.	In. mm.	In. mm.	In. mm.	In. mm.	In. mm.	In. mm.	In. mm.	In. mm.	In. mm.	In. mm.							
2	50	7.0	178	10.0	255	0.63	16.0	6.0	152	1.42	36	1.6	40	7.9	200	4.75	121	4	6.3	22	10
2½	65	7.5	190	11.3	287	0.69	17.5	7.0	178	1.50	38	1.6	40	7.9	200	5.50	140	4	8.1	29	13
3	80	8.0	203	12.6	321	0.75	19.0	7.5	191	1.73	44	1.42	36	10.2	260	6.00	152	4	10.0	35	16
4	100	9.0	229	13.5	344	0.94	24.0	9.0	229	2.13	54	1.42	36	10.2	260	7.50	191	8	12.5	75	34
6	150	10.5	267	17.4	441	1.00	25.4	11.0	279	2.24	57	1.54	39	14.8	375	9.50	241	8	15.0	105	48
8	200	11.5	292	20.8	529	1.13	28.6	13.5	343	2.48	63	1.54	39	14.8	375	11.75	298	8	16.7	163	74
10	250	13.0	330	24.2	614	1.19	30.2	16.0	406	2.56	65	1.82	46	15.7	400	14.25	362	12	20.8	256	116
12	300	14.0	356	27.6	700	1.25	31.8	19.0	483	2.91	74	1.82	46	19.7	500	17.00	432	12	25.0	399	181
14	350	15.0	381	31.8	807	1.38	35.0	21.0	533	2.95	75	3.1	80	19.7	500	18.75	476	12	43.8	620	281
16	400	16.0	406	34.1	869	1.46	37.0	23.5	597	3.00	77	3.1	80	19.7	500	21.25	540	16	50.0	816	370

Visit www.nibco.com for current Chem-Guide and galvanic potential in piping systems information.

*Weighted average lead content ≤ 0.25%