

## PVC Chemcock® and Calibrated Needle Lab Valves

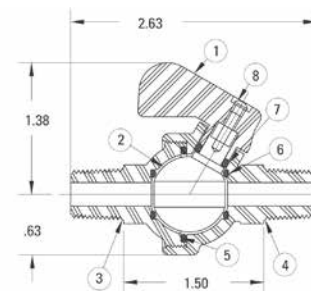
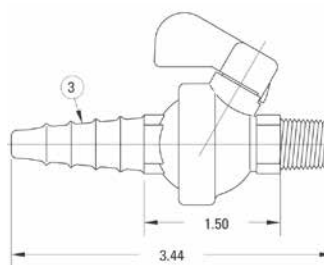


### Chemtrol Figure No.

A45CC-V	1/4" Hose x 1/4" MPT
M45CC-V	1/4" MPT x 1/4" MPT

### Features

- Rated at 150 psi with non-shock service at 73°F
- Its (4.8) calculated fluid flow coefficient (Cv) is based on the laying length being equivalent to 1/4" Schedule 80 pipe.
- Easily adaptable to any type of connection.
- Opens and closes with only a quarter turn.
- Replaceable FKM O-ring seats and seals.
- Corrosion-resistant all thermoplastic PVC construction.
- No sticking or galling.
- Full port design.



Approx. Weight 0.06 lbs.

### Construction Materials

Part	Material
1. Handle	PVC
2. Ball/Stem	PVC
3. Body End – Hose or Thread	PVC
4. Body Half – Stem Side	PVC
5. O-Ring – Body Seal	FKM
6. O-Ring – Ball Seats (2)	FKM
7. O-Ring – Stem Seal	FKM
8. Handle Screw	Cadmium Plated Steel

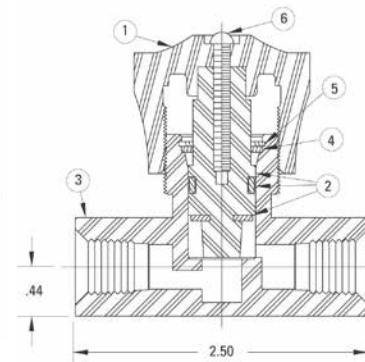
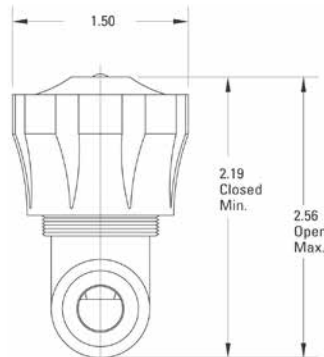


### Chemtrol Figure No.

T45CN-V	1/4" FPT x 1/4" FPT
---------	---------------------

### Features

- Rated at 150 psi with non-shock service at 73°F
- Precise flow measurement.
- Positive stop for safe operation.
- PTFE seat prevents wear on needle.
- Accurately adjust the flow by observing the knob handle exposing numerals molded on the valve body



Approx. Weight 0.13 lbs.

### Construction Materials

Part	Material
1. Adjustment Knob	PVC
2. Stem Assembly	PVC w/PTFE Seat Seal & FKM Stem Seal
3. Body	PVC
4. Retainer Washer	PVC
5. Snap Ring	Stainless Steel
6. Screw	Stainless Steel

Knob Position	GPM @ Constant 50 PSI
8	.85
7	1.41
6	1.79
5	2.15
4	2.42
3	3.15
2	4.40
1	4.50