

THIS SPACE FOR DESIGNER/ENGINEER APPROVAL

Job/Customer _____	Date _____	Contractor _____
Model Specified _____	Qty _____	Approved By _____
Designer/Engineer _____	Date _____	Contractor's PO# _____
Submitted By _____	Date _____	Other _____

8031W Series

Full Port Forged Brass Ball Valves

w/ Cap, Strap,

Adjustable Packing Gland & Reversible Handle

Press x Hose

250 CWP 250° F MAX

ISO 9001



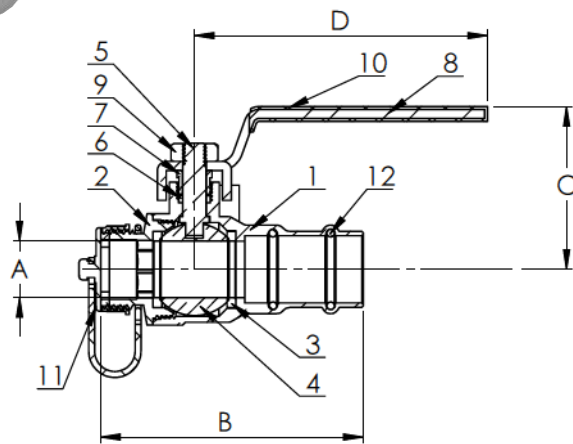
**LEAD FREE
CLEAN BRASS**
THE CLEAR CHOICE
FOR THE PROFESSIONAL

Certified to
NSF/ANSI 61
& NSF/ANSI 372

ITEM #	SIZE	CTN	CASE	A	B	C	D	Cv
80312W	1/2" x 3/4"	5	50	1/2	3 1/16	2 3/8	3 1/2	11.5
80313W	3/4"	5	40	3/4	3 7/16	2 5/8	3 1/2	27.1



NO.	DESCRIPTION	MATERIAL
1	BODY	BRASS
2	END CAP	BRASS
3	SEAT	PTFE
4	BALL	BRASS HCP
5	STEM	BRASS
6	STEM SEAL	PTFE
7	PACKING GLAND	BRASS
8	HANDLE	STEEL CP
9	HANDLE NUT	BRASS
10	HANDLE JACKET	VINYL
11	CAP & STRAP	BRASS W/ NBR HOSE WASHER & STRAP
12	O-RING	EPDM



TEMP °F	PSI
100	250
250	200

Specifications: Designed for residential, commercial or industrial use with water, oil or gas. This approved Webstone valve is actuated by a blowout proof stem and features an adjustable packing gland. Hose ends comply with ANSI B1.20.7.



Quality and Commitment Since 1954

www.webstonevalves.com · P: (800) 225-9529 · F: (800) 336-5133

Webstone product specifications in U.S. customary units are approximate and are provided for reference only. Webstone reserves the right to change or modify product design, construction, specifications or materials without prior notice and without incurring any obligation to make such changes and modifications on Webstone products previously or subsequently sold.

8031Wspec_040416