

THIS SPACE FOR DESIGNER/ENGINEER APPROVAL

Job/Customer _____	Date _____	Contractor _____
Model Specified _____	Qty _____	Approved By _____
Designer/Engineer _____	Date _____	Contractor's PO# _____
Submitted by _____	Date _____	Other _____

10170W Series

**Full Port Forged Brass Ball Valves
w/ Adjustable Packing Gland & Reversible Handle
Lead Free**

Female PP-RCT Metric Socket

Manufactured for use with all PP-R & PP-RCT Piping Systems

Max. Operating Pressure: 600 PSI**

ISO 9001 - Patents Pending



**LEAD FREE
CLEAN
BRASS**
THE CLEAR CHOICE
FOR THE PROFESSIONAL

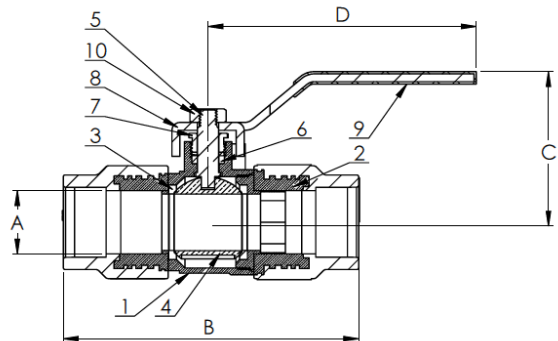
Lead free products
are certified to
NSF/ANSI 61
& NSF/ANSI 372

LEAD FREE ITEM#	METRIC PIPE SIZE	SIZE*	CTN	CASE	A	B	C	D
101702W	20	1/2"	5	50	1/2	4 1/8	2	3 7/8
101703W	25	3/4"	5	40	3/4	4 5/16	2 1/16	3 7/8
101704W	32	1"	4	20	1	5 3/16	2 5/8	4 5/8
101705W	40	1 1/4"	5	20	1 1/4	5 3/4	3	4 5/8
101706W	50	1 1/2"	4	16	1 1/2	6 3/8	3 1/2	5 5/8
101707W	63	2"	2	8	2	7 1/8	4	5 5/8



NO.	DESCRIPTION	MATERIAL
1	BODY	BRASS with PP-RCT
2	END CAP	BRASS with PP-RCT
3	SEAT	PTFE
4	BALL	BRASS HCP
5	STEM	BRASS
6	STEM SEAL	PTFE
7	PACKING GLAND	BRASS
8	LEVER HANDLE	STEEL CP
9	HANDLE JACKET	VINYL
10	HANDLE NUT	STAINLESS STEEL

Specifications: Designed for residential, commercial or industrial use with water, oil or gas. This approved Webstone valve is actuated by a blowout proof stem and features an adjustable packing gland. Socket end dimensions are in accordance with ASTM F 2389 Metric Series. *PP-R Sockets are manufactured based on metric units of measurement. Imperial nominal diameter is provided as reference only. **Valve seat/body maximum pressure rating at 100 F. Overall valve pressure rating is determined by intended operating conditions and limitations specific to the system design.



Quality and Commitment Since 1954

www.webstonevalves.com · P: (800) 225-9529 · F: (800) 336-5133

Webstone product specifications in U.S. customary units are approximate and are provided for reference only. Webstone reserves the right to change or modify product design, construction, specifications or materials without prior notice and without incurring any obligation to make such changes and modifications on Webstone products previously or subsequently sold.