

Class 300 Bronze Gate Valves

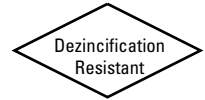
Block Pattern • Union Bonnet • Rising Stem • Alloy Solid Wedge

300 PSI/20.7 Bar Saturated Steam to 421° F/216° C
600 PSI/41.4 Bar Non-Shock Cold Working Pressure

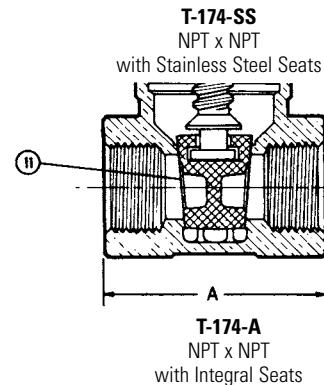
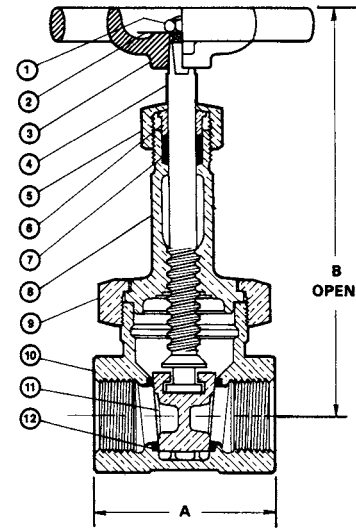
CONFORMS TO MSS SP-80

MATERIAL LIST

PART	SPECIFICATION
1. Handwheel Nut	300 Series Stainless Steel
2. Identification Plate	Aluminum
3. Handwheel	Malleable Iron ASTM A 47
4. Stem	Silicon Bronze ASTM B 371 Alloy C69400/C69430 or ASTM B 99 Alloy C65100
5. Packing Nut	Bronze ASTM B 62 or ASTM B584 Alloy C84400 or Brass ASTM B16
6. Packing Gland	Bronze ASTM B 62 or ASTM B584 Alloy C84400 or Brass ASTM B16
7. Packing	Aramid Fibers with Graphite
8. Bonnet	Bronze ASTM B 61
9. Union Nut	Bronze ASTM B 61
10. Body	Bronze ASTM B 61
11. Wedge	T-174-SS Bronze ASTM B 61 T-174-A Copper Nickel Alloy
12. Seats	T-174-SS Stainless Steel Type 410 ASTM A 276 Alloy 541000 T-174-A Integral with Body



T-174-SS
T-174-A
Threaded



FREEZING WEATHER PRECAUTION: Subsequent to testing a piping system, valves should be left in an open position to allow complete drainage.

◆ For detailed Operating Pressure, refer to Pressure Temperature Chart on page 114.

DIMENSIONS—WEIGHTS—QUANTITIES

Dimensions

Size	T-174-SS				T-174-A				T-174-SS		T-174-A		Master Ctn.	Qty.
	In.	mm.	In.	mm.	In.	mm.	In.	mm.	Lbs.	Kg.	Lbs.	Kg.		
1/4	8	x	x	x	1.88	48	4.81	122	x	x	1.15	0.52	50	
3/8	10	x	x	x	2.06	53	4.81	122	x	x	1.14	0.52	50	
1/2	15	2.38	60	5.38	137	2.31	59	5.38	137	1.48	0.67	1.49	0.68	40
3/4	20	2.69	68	6.31	160	2.44	62	6.31	160	2.23	1.01	2.23	1.01	30
1	25	3.13	79	7.56	192	2.88	73	7.56	192	3.37	1.53	3.37	1.53	20
1 1/4	32	3.44	87	8.88	226	3.13	79	8.75	222	4.74	2.15	4.76	2.16	10
1 1/2	40	3.75	95	10.25	260	3.38	86	10.25	260	6.29	2.85	6.32	2.87	10
2	50	4.25	108	12.50	318	3.88	99	12.50	318	10.84	4.92	10.96	4.97	6

x Not available this size.

Visit our website for the most current information.