

Class 125 Iron Body Gate Valves

Bolted Bonnet • Outside Screw and Yoke • Solid Wedge • Bronze Mounted

***100 PSI/6.9 Bar Saturated Steam to 338° F/170° C**
150 PSI/10.3 Bar Non-Shock Cold Working Pressure
to -20° F to 150° F/-29° C to 66° C ◆

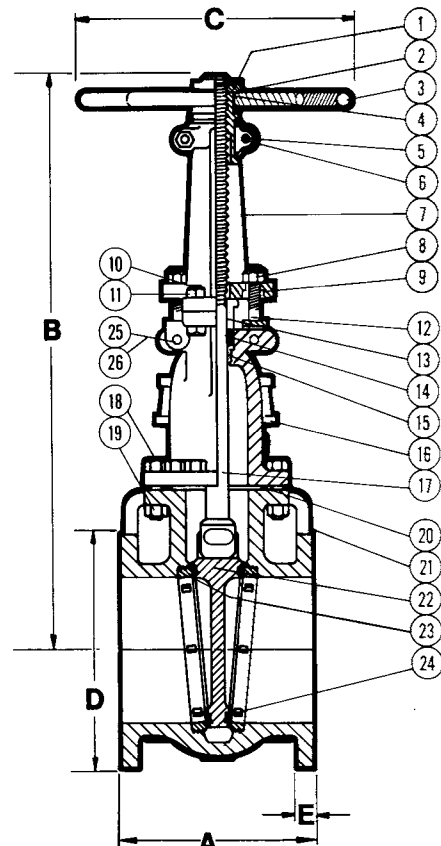
CONFORMS TO MSS SP-70

MATERIAL LIST

PART	SPECIFICATION
1. Handwheel Nut	Cast Bronze ASTM B584 Alloy C84400
2. I.D. Tag	Aluminum
3. Handwheel	Fabricated Steel
4. Yoke Bushing	Cast Bronze ASTM B584 Alloy C84400
5. Split Yoke Bolt	Steel ASTM A307
6. Split Yoke Bolt Nut	Steel ASTM A563
7. Yoke	Cast Iron ASTM A126 Class B
8. Gland Follower Nut	Brass ASTM B16 Alloy C36000
9. Gland Follower	Cast Iron ASTM A126 Class B or Ductile Iron ASTM A536
10. Yoke Bolt	Steel ASTM A307
11. Yoke Bolt Nut	Steel ASTM A563
12. Gland Follower Bolt	Steel ASTM A307
13. Packing Gland	Cast Bronze ASTM B584 Alloy C84400 or Brass ASTM B16 C36000
14. Packing	Synthetic Fibers with Graphite
15. Backseat Bushing	Cast Bronze ASTM B584 Alloy C84400
16. Bonnet	Cast Iron ASTM A126 Class B
17. Stem	Brass ASTM B16 Alloy C36000
18. Bonnet Bolt	Steel ASTM A307
19. Bonnet Bolt Nut	Steel ASTM A563
20. Bonnet Gasket	Synthetic Fibers
21. Body	Cast Iron ASTM A126 Class B
22. Wedge	Cast Iron ASTM A126 Class B
23. Seat Ring	Cast Bronze ASTM B584 Alloy C84400
24. Wedge Ring	Cast Bronze ASTM B584 Alloy C84400
25. Swing Nut	Steel ASTM A563
26. Swing Bolt	Steel ASTM A307
27. Grease Fitting	Alemite 1743B (not shown)
28. Stem Collar	Brass ASTM B16 Alloy C36000 (not shown)
29. Wedge Pin	Brass ASTM B 371 C69400 (not shown)
30. Wedge Nut	Brass ASTM B 61 C92200 (not shown)



F-617-0
Flanged



F-617-0
Flg x Flg

DIMENSIONS—WEIGHTS—QUANTITIES

Size	Dimensions										Turns to Open	Weight		
	A		B		C		D		E			Lbs.	Kg.	
In.	mm.	In.	mm.	In.	mm.	In.	mm.	In.	mm.	In.	mm.			
14	350	15	381	65.50	1660	24	610	21.00	533	1.38	35	29.38	892	405
16	400	16	407	74.50	1892	24	610	23.50	597	1.44	37	33.50	1253	568
18	450	17	432	82.50	2096	24	610	25.00	635	1.56	40	37.63	1598	725
20	500	18	457	91.00	2311	30	762	27.50	699	1.69	43	41.88	2000	907
24	600	20	508	107.50	2731	30	762	32.00	813	1.88	48	50.06	2909	1319

* 18", 20" and 24" sizes recommended for 50 PSI maximum steam service.

FREEZING WEATHER PRECAUTION: Subsequent to testing a piping system, valves should be left in an open position to allow complete drainage.

◆ For detailed Operating Pressure, refer to Pressure Temperature Chart on page 114.

VISIT WWW.NIBCO.COM FOR CURRENT CHEM-GUIDE AND GALVANIC POTENTIAL IN PIPING SYSTEMS INFORMATION.
Visit our website for the most current information.